

## FLOW WELLS AND AIR CLEANING HOODS FOR THROUGH-HOLE COMPONENTS

MACHINES



1.201

APPLICATION: THROUGH-HOLE

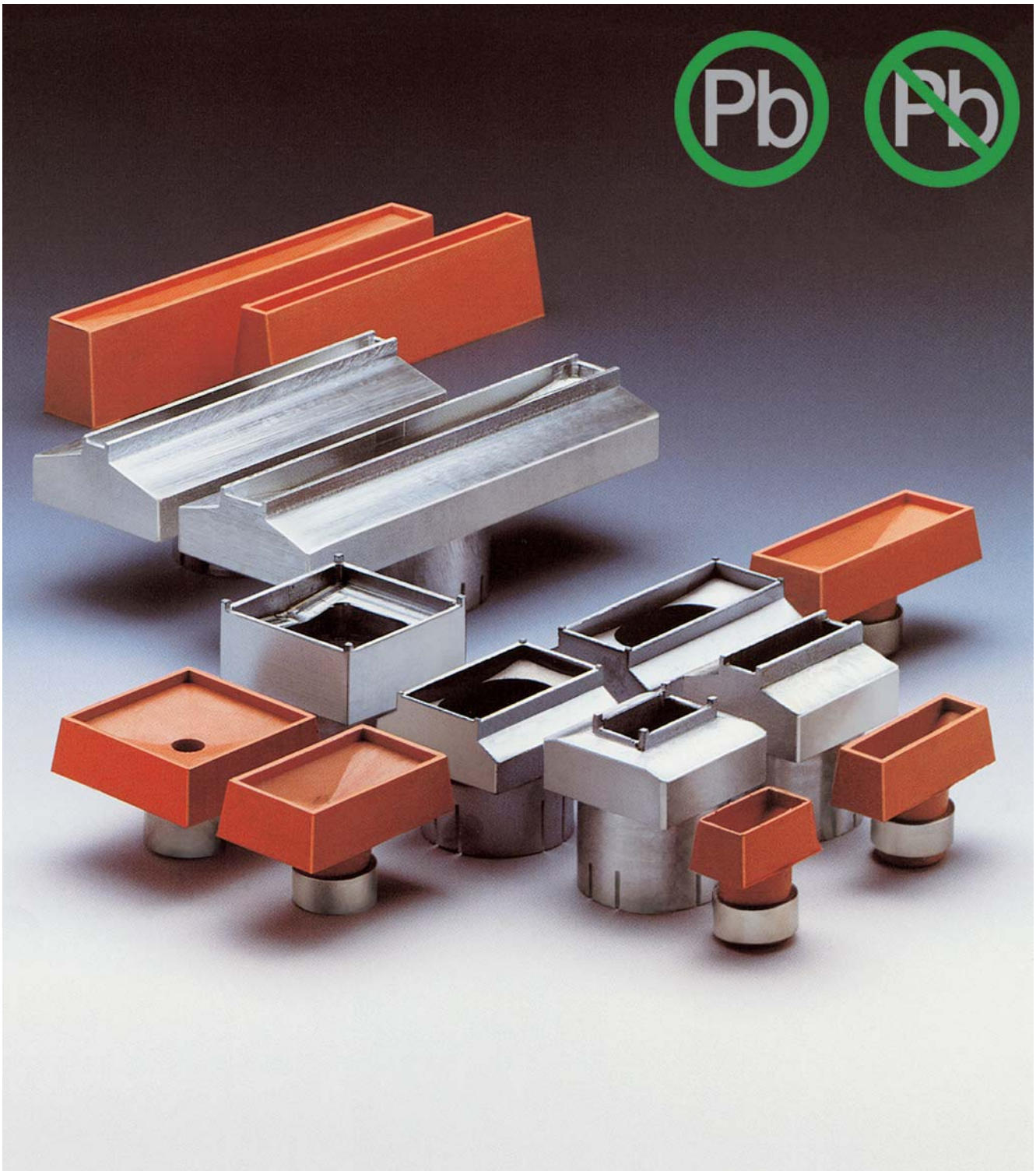
ZEVAC-LINE: SSM

The complete SSM product line  
documentation is composed of the  
following data sheets:

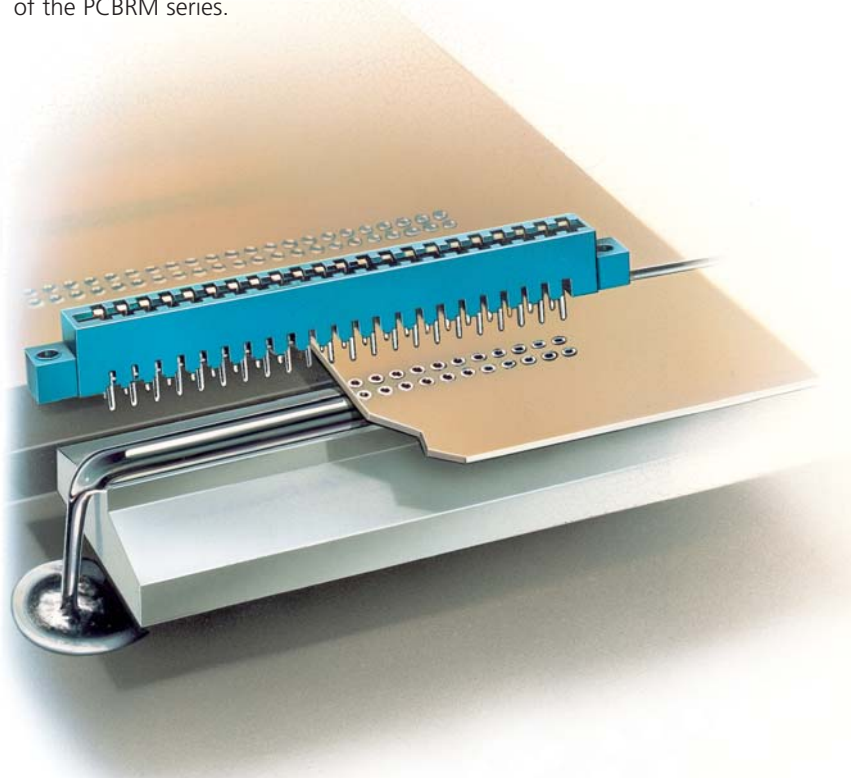
MACHINES 1.107

ACCESSORIES 1.201

OPTIONS 2.302



ZEVAC flow wells and air cleaning hoods can also be used on all machines of the PCBRM series.

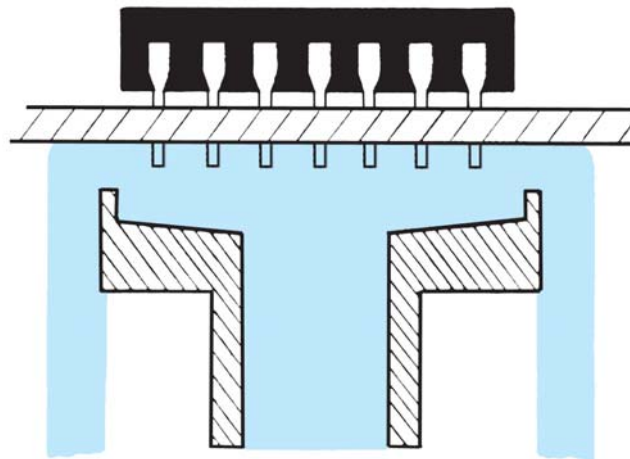


**SSM 4 / SSM 4A / SSM 9**

Soldering and desoldering machines unique in performance and design. Operator independent parameters provide repeatable results.

**WIDE APPLICATION RANGE**

For selective soldering and desoldering also on the assembled side of printed circuit boards. Any form of connector or other multi-lead component can be reworked. Flow wells and air cleaning hoods are designed for safe use in all ZEVAC units.



**LEAD-FREE APPLICATIONS**

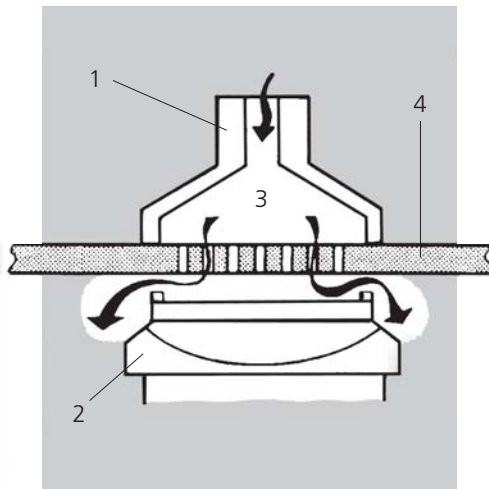
All machines are equipped for lead-free use as a standard. Retrofit to existing machines are available. Contact your ZEVAC representative for further information.

**Safety for electric components**

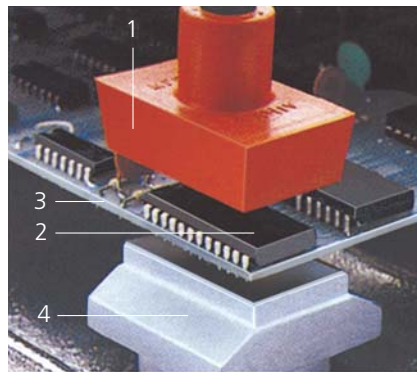
The solder wave is restricted and directed from delicate areas. Adjacent components are not touched by the molten solder.

**AIR CLEANING HOODS**

Air cleaning hoods are made of heat resistant silicon rubber. They form a seal over the location of the desoldered component, allowing the holes to be blown clean of molten solder by low air pressure (max.0.5 bar). As the molten solder is blown into the solderpot additional cleaning is not required. Consideration should be given to the area of the hood (approx. 3 mm greater than the component size) when dealing with closely spaced components.



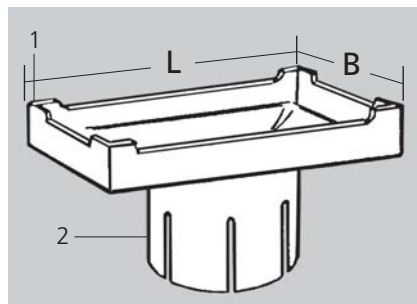
1 = air cleaning hood  
2 = flow well  
3 = air pressure  
4 = printed circuit board



1 = air cleaning hood  
2 = component  
3 = printed circuit board  
4 = flow well

**FLOW WELLS**

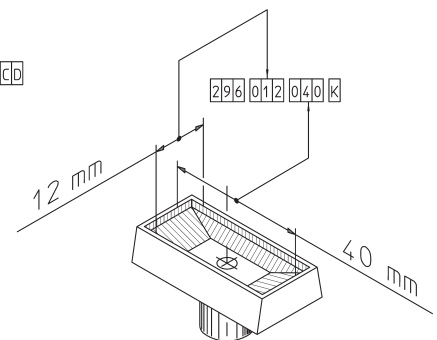
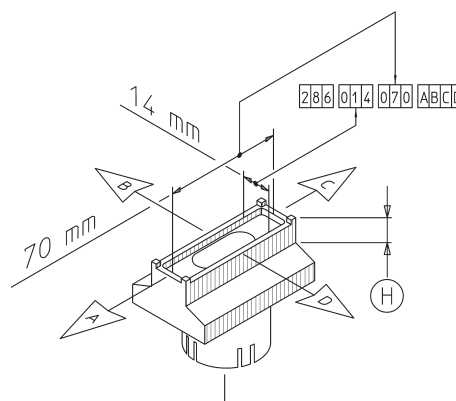
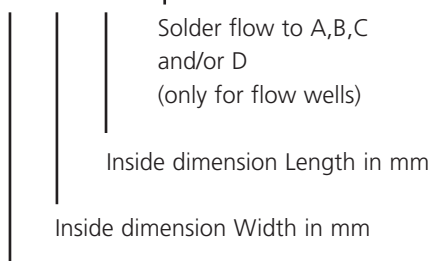
Correct flow well size is essential for complete desoldering of the component. Approx. 3 mm should be allowed on the inside dimension of the flow well in addition to the size of the lead pattern.



1 = stand off  
2 = shaft

**PART INFORMATION:**

- 276.XXX.XXX XXXX
- 286.XXX.XXX XXXX
- 296.XXX.XXX



- 276. : Titanium flow wells for lead-free applications
- 286. : Steel flow wells
- 296. : Air cleaning hoods

Technical data subject to change

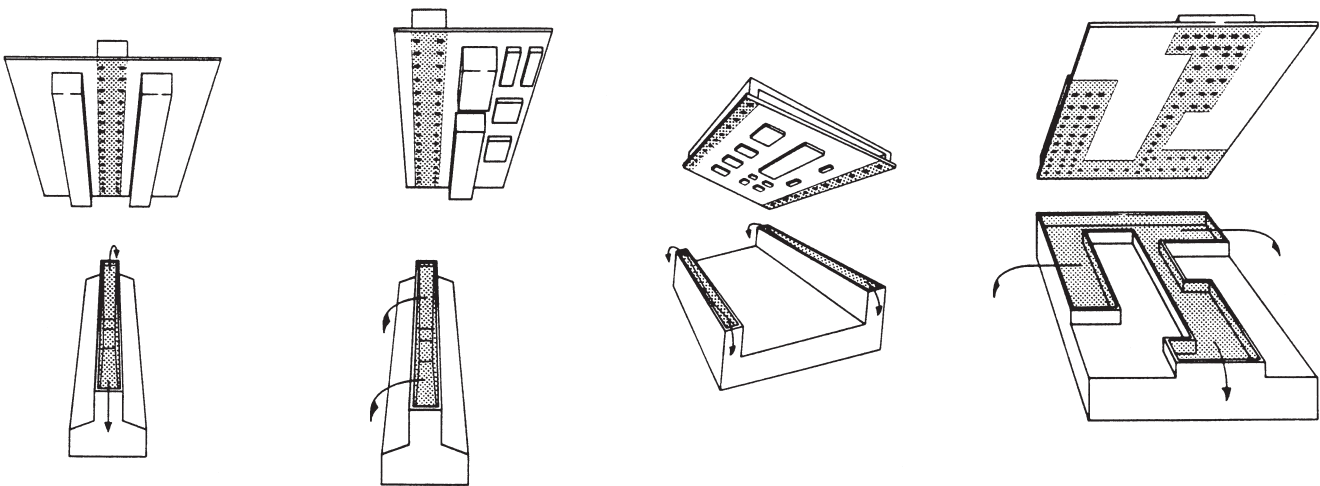
**SPECIAL FLOW WELLS  
AND AIR CLEANING HOODS**

Special flow wells and air cleaning hoods can be made in a variety of shapes to suit the individual requirements.

Drawings or samples of the assemblies will be required.

Maximum dimensions of flow wells:  
Length = 400 mm, Width = 100 mm  
Maximum area: 150 cm<sup>2</sup>

Exemples of special flow wells:



**ZEVAC Agent**

**ZEVAC**

ZEVAC AG  
Vogelherdstrasse 4  
CH - 4500 Solothurn / Switzerland

Telephone +41 32 626 20 80  
Fax +41 32 626 20 90  
E-mail info@zevac.ch  
Website www.zevac.ch